

HB-150F

LED high bay light F series

Description & Features

- Aluminium + Phase change cooling technology heat dissipation.
- Tempered glass lens.
- Integrated driver, good heat dissipation and be replaced easily.
- Standard by IP65.
- Protection class: Class 1.
- Original package SAMSUNG or Philips LED chips.
- Lumens efficiency up to 110lm/w for fixture.
- No bad glare and stroboscopic, no flicker.
- Power factor greater than 0.95.
- Standard 1-10V dimmable drivers.
- Long life, L70>50,000 Hours.
- Professional technology support, can offer Relux solution, IES.

Certificate

- CE, RoHs

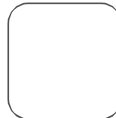
Warranty

- 3 Years warranty

Specifications

Model No.:	HB-150F
Power Consumption:	150W
Input Voltage:	100-277Vac
Operate Frequency:	50-60Hz
Lumens Output:	16500lm
LED Brand:	SAMSUNG / Philips
Color Temperature:	3000K, 4000K, 5000K, 6000K
CRI:	>75
Beam Angle:	45°, 90°, 120°
IP Rated:	IP65
Power Factor:	>0.95
Total Harmonic Distortion:	<20%
Working Temp.:	-20°C ~ 40°C
Storage Temp.:	-40°C ~ 70°C
Lifespan L70(H):	>50,000 Hours
Cable:	3 meter 6 Amp South African cord set
Fixture Weight:	5.3kg

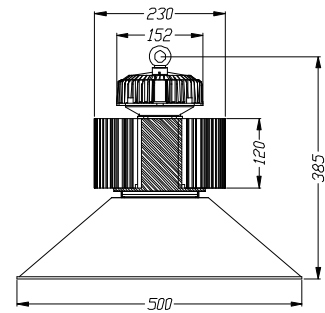
Note 1: Different color LED light performance somewhat deviation, rates ≤ 5%



120° Reflector



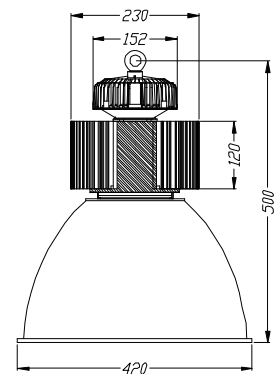
Unit: mm



45° Reflector



Unit: mm



Ordering Information

HB-150F

Product	LED Chips	Lens	CCT	Housing color	Accessories	Operation
HB-150F 150W	Samsung(Standard)	Clear (Standard)	6000 kelvin	Black(Standard)	120°Alu reflector	Non-dimming (Standard)